

1

2

3

4

D

D

C

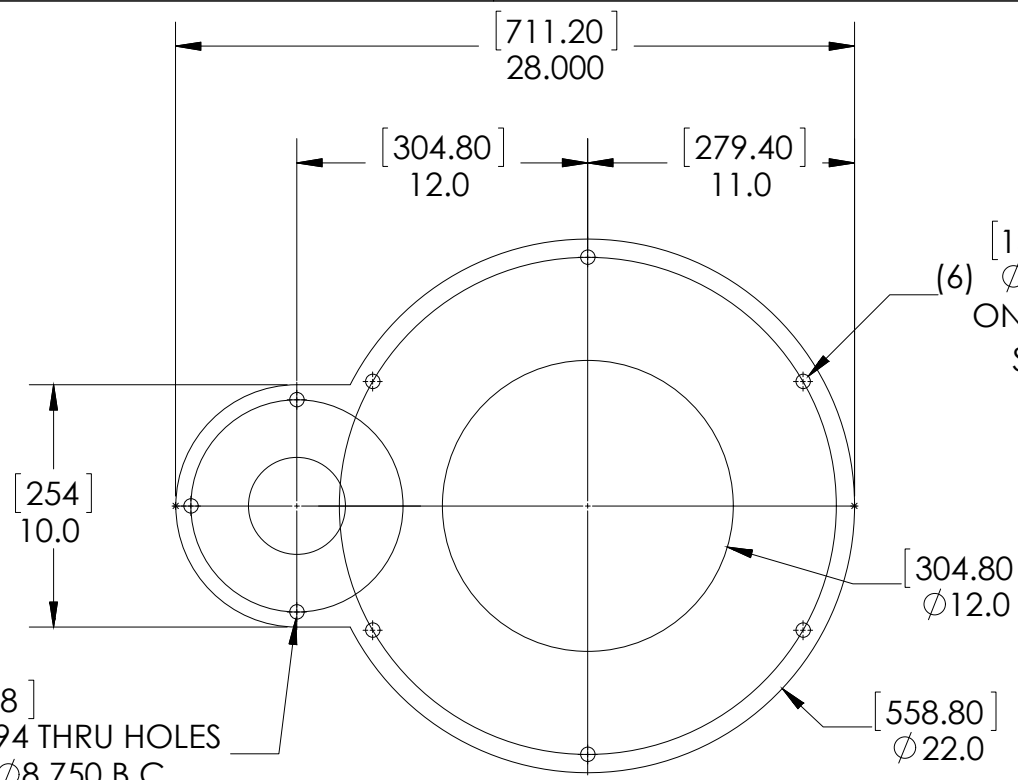
C

B

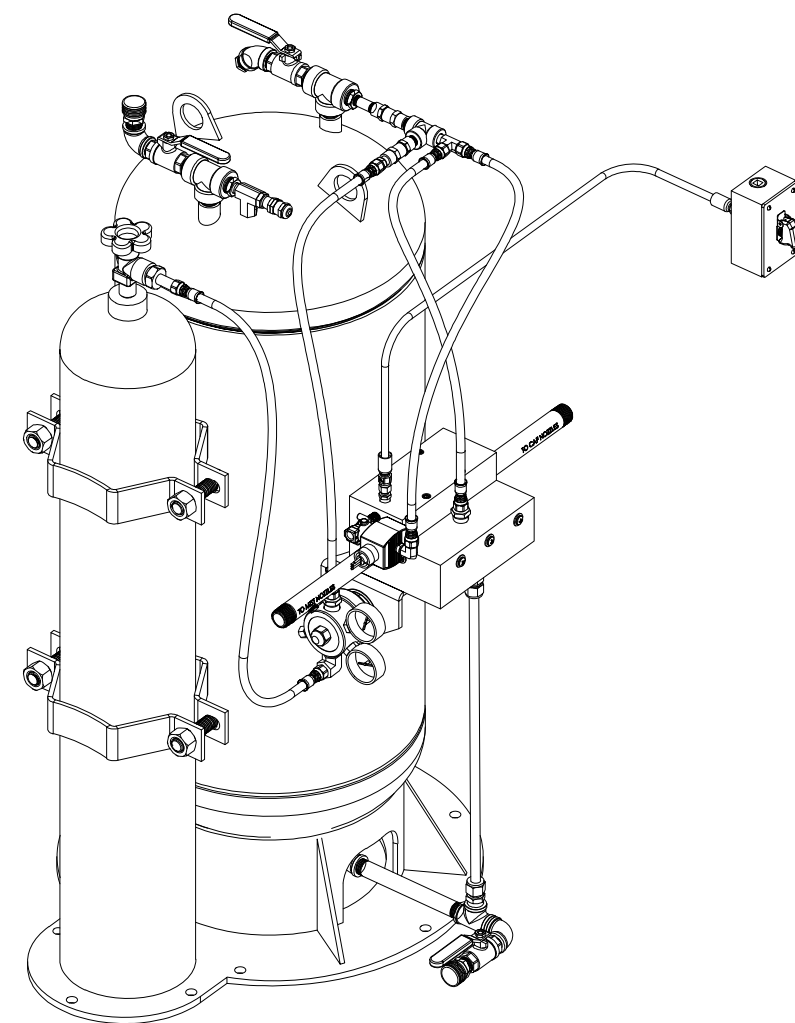
B

A

A

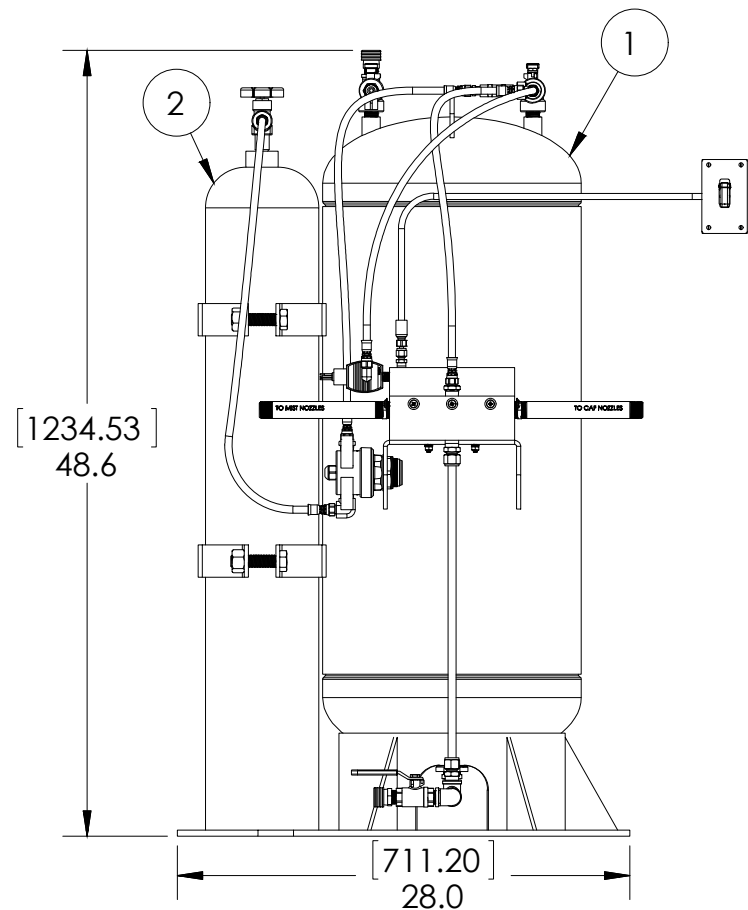
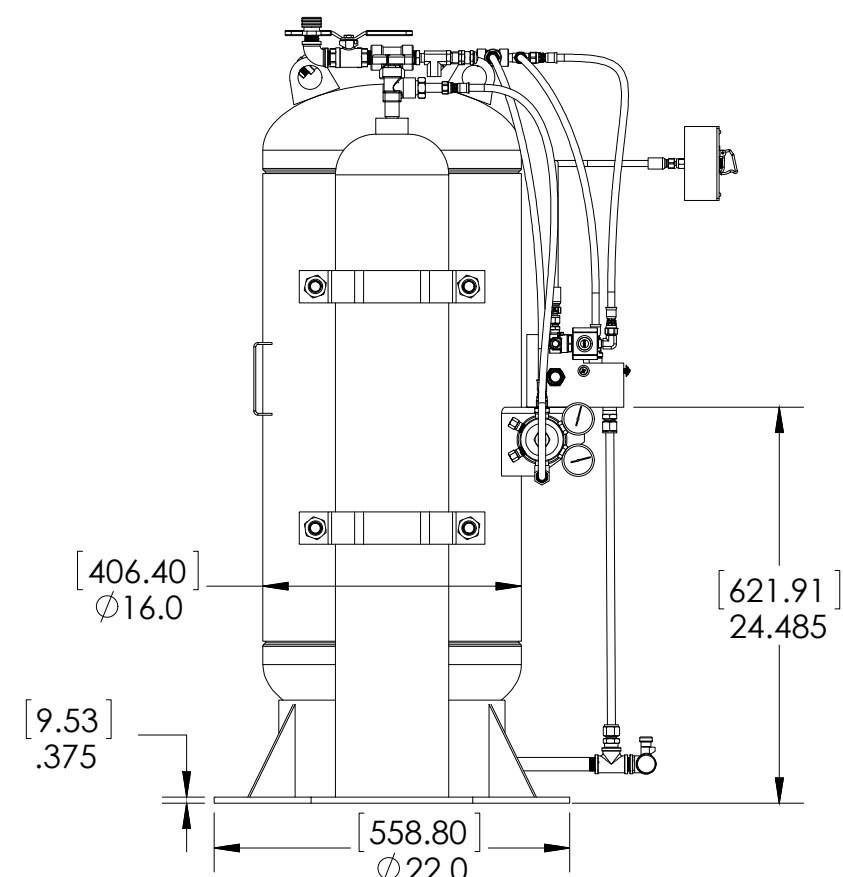


BASEPLATE MOUNTING DIMENSIONS



SYSTEM WEIGHT
EMPTY: 300 LBS/ 136.1 KGS
FULL: 550.5 LBS/ 249.7 KGS

CAPACITY: 30 GALLONS/113.6 LITERS



ITEM	QTY	DESCRIPTION
1	1	SOLUTION TANK, 30 GAL. VERTICAL
2	1	N2 TANK, 125 FT ³

NOTICE: This detailed comprehensive drawing has been made as a record for your files and is the sole and exclusive property of ACAF SYSTEMS Inc., having been made to a design conceived at said Co. and is not to be reproduced, nor any part or portion thereof, nor any information obtained there from, to be made use of or disclosed in any manner whatsoever.

UNLESS OTHERWISE SPECIFIED ALL DIMENSIONS ARE IN INCHES.
 FRACTIONAL ± 1/32" (±.8 mm)
 2 DECIMAL PLACES ±.01" (±.3 mm)
 3 DECIMAL PLACES ±.005" (±.13 mm)
 4 DECIMAL PLACES ±.0005" (±.013 mm)
 ANGLE ± 30 MIN.
 UNLESS OTHERWISE SPECIFIED ALL MACHINED SURFACES TO BE 63√ OR BETTER. REMOVE ALL UNNECESSARY SHARP EDGES.



SUPPLIER:
ACAF SYSTEMS, Inc.
 4 GRAFTON STREET, COVENTRY RI, 02816
 Tel. (401)828-9787 Fax. (401)828-9788

DRAWN BY	DATE	DESIGNED BY	DATE
SS	05/03/2016	DBM	05/03/2016
CHK.	DATE	REVISION DATE	
--	--		

TITLE:
BOSS 30 GAL VERTICAL CROSSFIRE SYSTEM

SCALE:	NTS	DRAWING NO.:	C.A.D. REV.
SHEET:	1 OF 1	KD4062	1

1

2

3

4