

8 7 6 5 4 3 2 1

Qty Required Per Unit

ITEM NO.	DESCRIPTION	Material	QTY
1	CAF SOLUTION TANK, 100 GALLONS	CS	1
2	DRY CHEM TANK, 450 Lbs.	CS	1
3	HOSE REEL, 100 FT REELCRAFT	CS	1
4	SKID BASE	CS	1
5	NITROGEN CYLINDER 300 CUFT	VARIOUS	2
6	DUAL HOSE NOZZLE	ANODIZED ALUMINUM	1
7	REEL CRAFT DUAL HOSE, 100 FT, ND 1"	RUBBER	1
8	1/2" FILL VALVE	CS	1
9	1/2" SAFETY RELIEF VALVE	CS	1
10	SYSTEM MANUAL ACTUATION VALVE (CAF)	CS	1
11	SYSTEM MANUAL ACTUATION VALVE (DRY CHEM)	VARIOUS	1

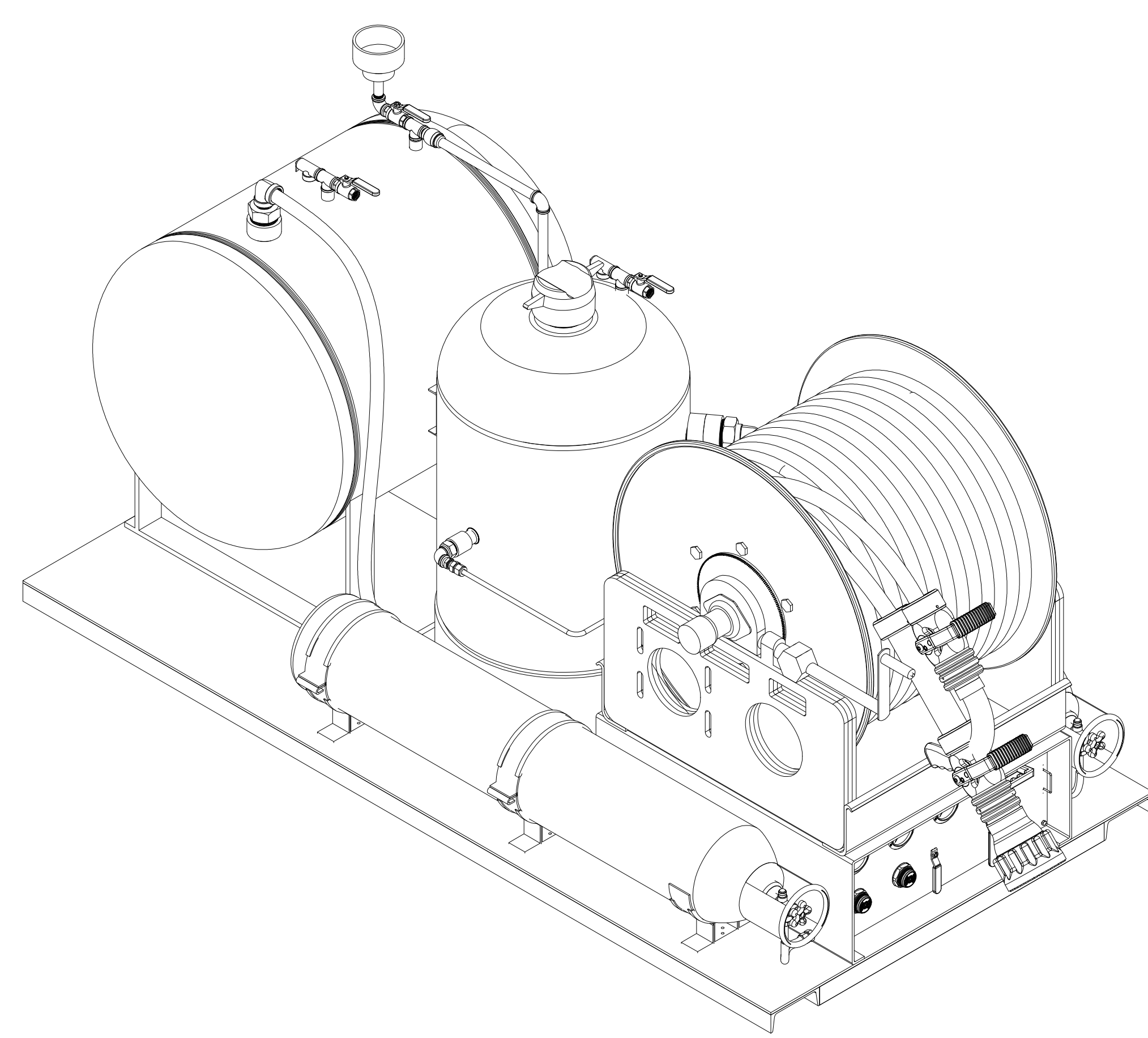
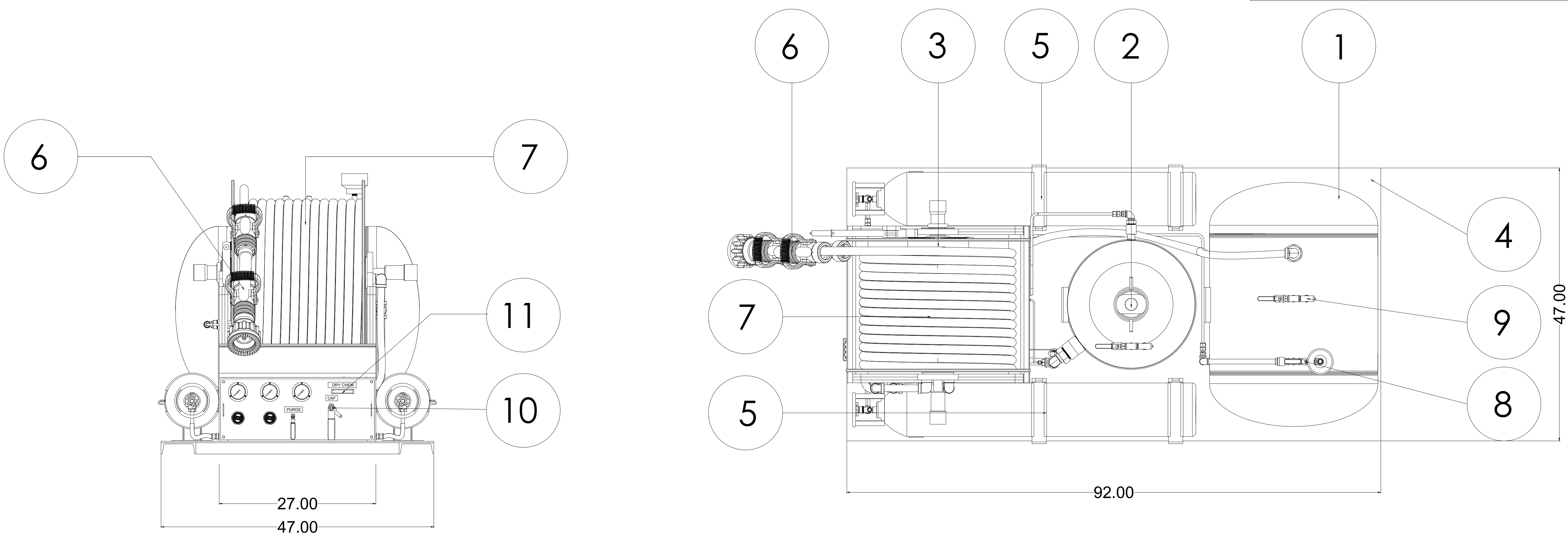


FIG. 4 AXONOMETRIC

FIG. 1 FRONT

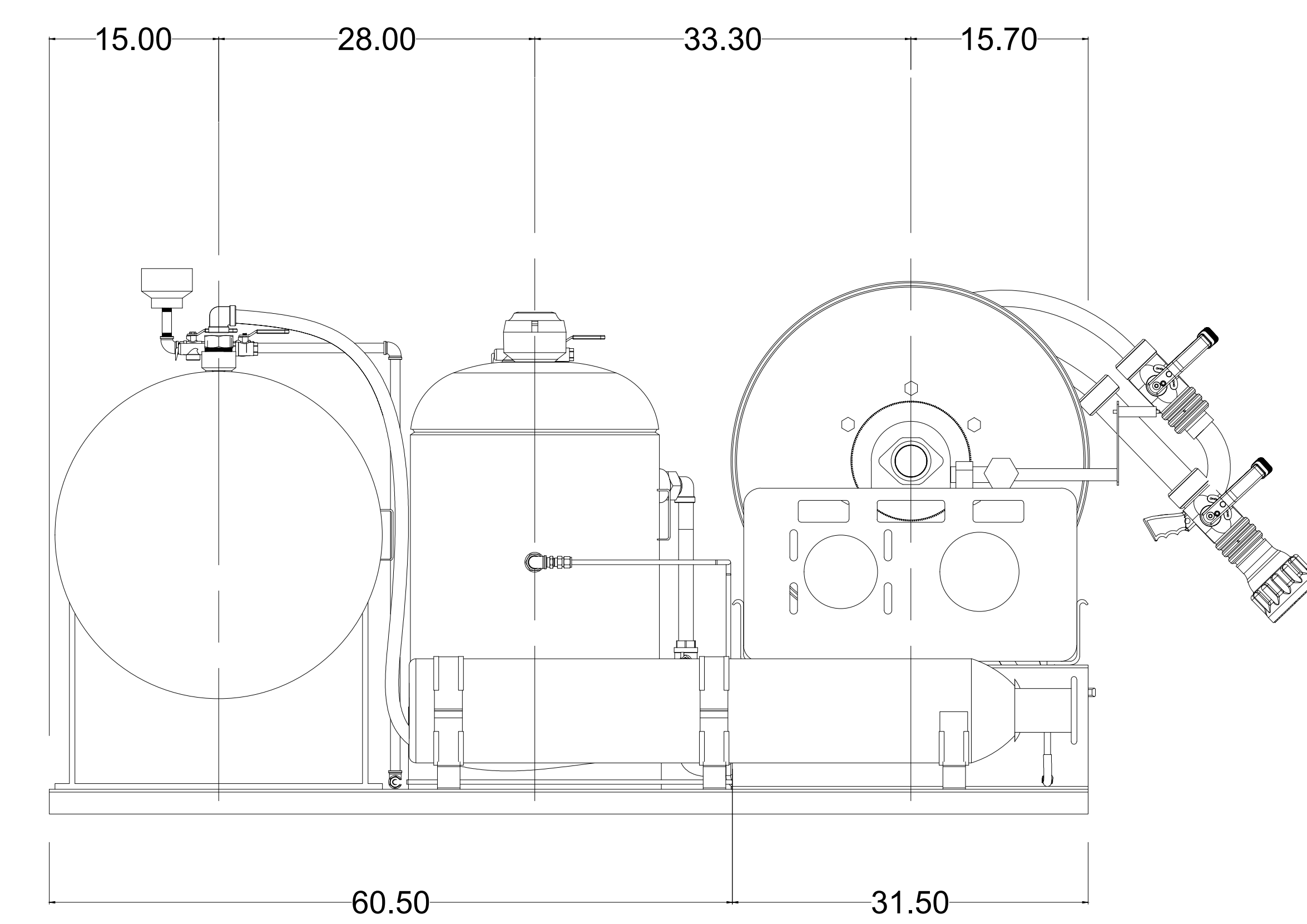


FIG. 3 LEFT

REVISION TABLE			
REV.	DESCRIPTION	DATE	APPROVED
2	EXPOSE NITROGEN CYLINDER & RE ARRANGEMENT OF GAUGES AND VALVES	5/5/2018	

ACAF Systems Inc. 4 Grafton Street Coventry, RI 02816 Tel. (401)828-9787 Fax. (401)828-9788					
UNLESS OTHERWISE SPECIFIED: DIMENSIONS ARE IN INCHES TOLERANCES: FRACTIONAL 1/4" ± TWO PLACE DECIMAL .06 ± THREE PLACE DECIMAL .005 ± FOUR PLACE DECIMAL .005 ± ANGULAR 1/4° ±	DRAWN BY LER	DATE 5/5/2018	TITLE: DUAL SYSTEM CAF/DRY CHEM LAYOUT		
	DESIGNED BY DBM	DATE 5/5/2018	SIZE B DWG. NO. DS-CAF-100-DC-450 REV 2		
QUOTE # TBD JOB # TBD PO # -	Customer Project Name		DO NOT SCALE DRAWING SHEET 1 OF 1		

8 7 6 5 4 3 2 1