

100 ft bolster hose  
31 kg

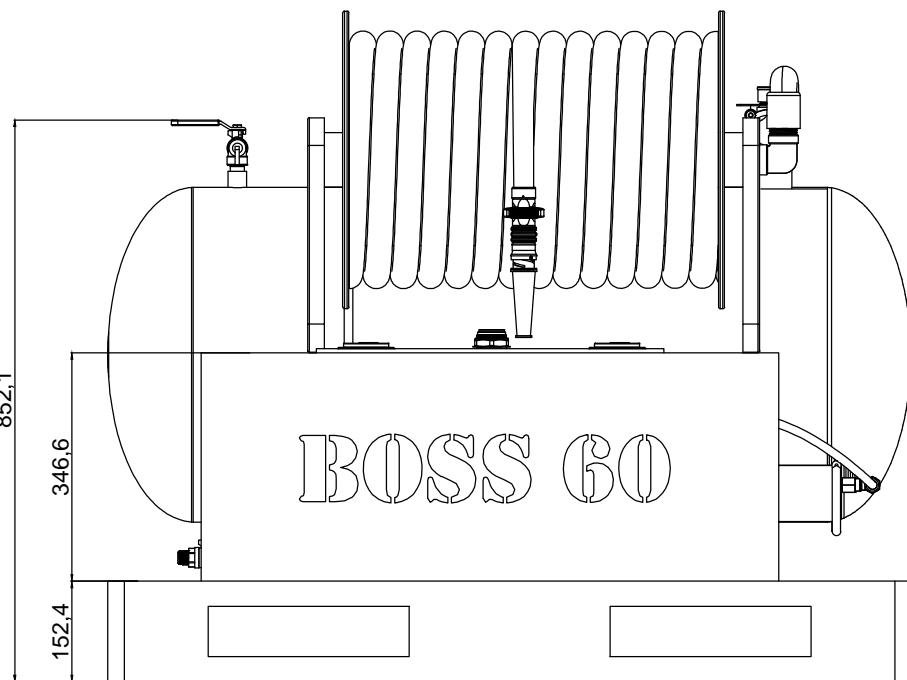
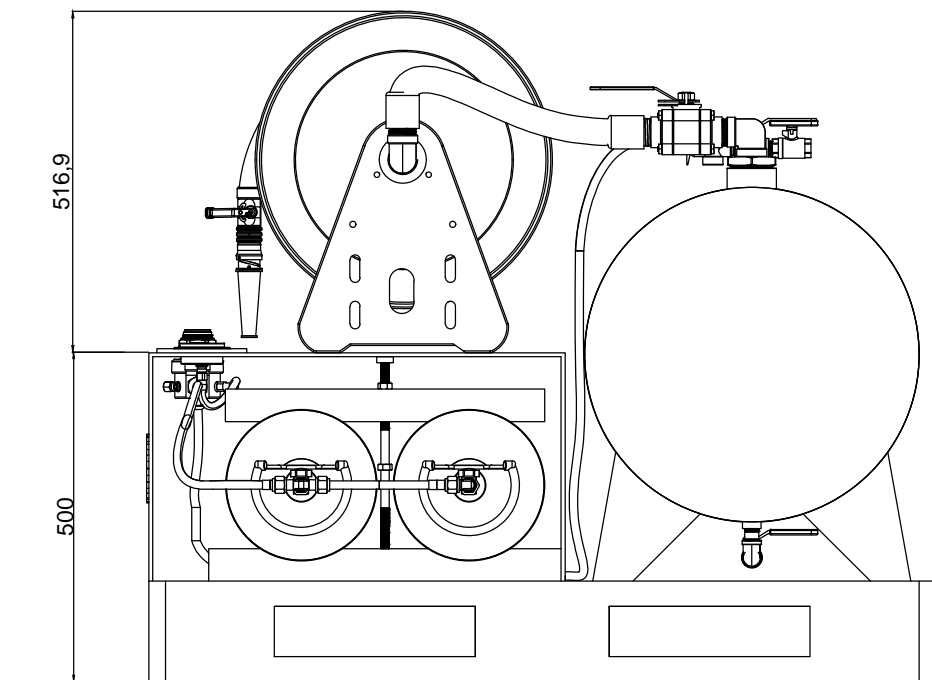
Hose Reel  
22.23 kg

Nitrogen Regulator  
and Panel  
5kg

60 Gallons Steel  
Tank 93.5 kg

60 Gallons Foam  
Solution 227 kg

2xNitrogen Cylinder  
40kg (each)



SUPPLIER:

**ACAF**  
Systems, Inc.  
Automatic Compressed Air Foam

<b>ACAF SYSTEMS, Inc.</b>			
4 GRAFTON STREET, COVENTRY RI, 02816			
Tel. (401)828-9787 Fax. (401)828-9788			
DRAWN BY	DATE	DESIGNED BY	DATE
LER	06/15/2019	DBM	06/15/2019
CHK.	DATE	DRAWING STATUS:	
--	--	FOR REVIEW	

TITLE:		
<b>BOSS 60 SKID REVISION. SYSTEM WEIGHT INFO.</b>		
SCALE:	NTS	DRAWING NO.:
SHEET:	1 OF 1	CAFS-B-60-9
		C.A.D. REV.:
		D